

GENETIC, FLOAT OPERATED GUIDED LEVEL SWITCH

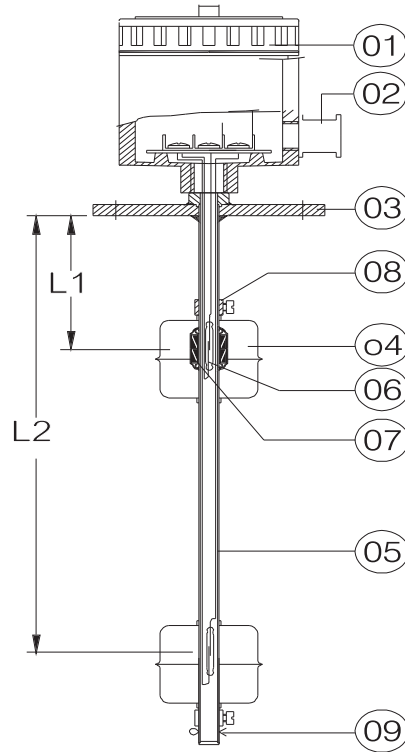
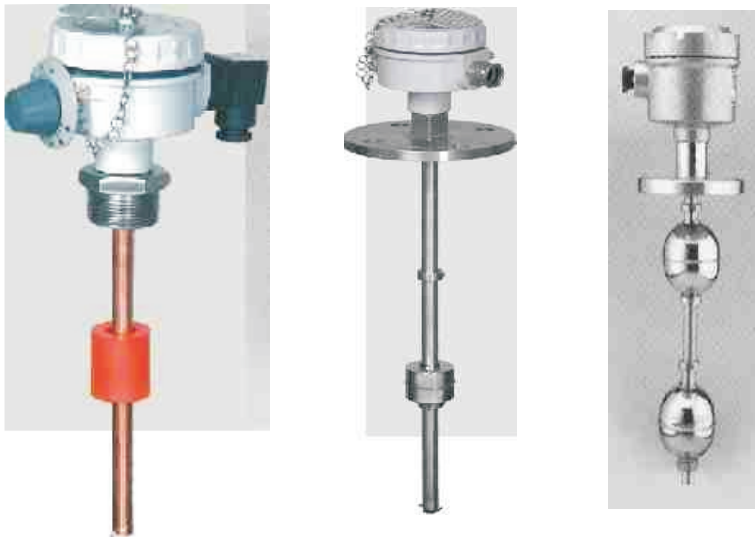


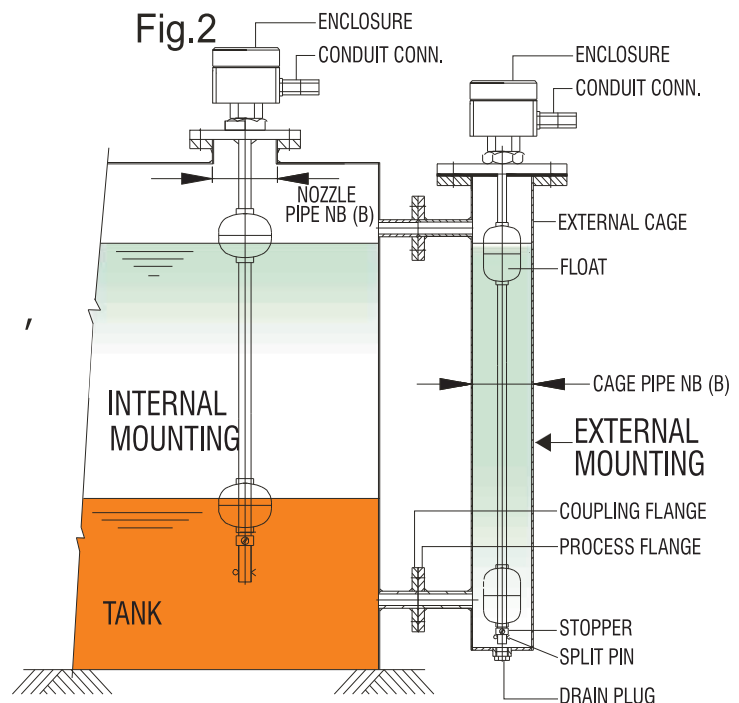
Fig. 1

- 01 Enclosure
- 02 Conduit conn
- 03 Process conn
- 04 Float
- 05 Guide tube
- 06 Reed switch
- 07 Magnet
- 08 Stopper
- 09 Split pin



INSTALLATION & WIRING

Mounted internally or externally through a chamber as shown in (Fig 2). External mounting is adopted to overcome limited space within the tank or where mechanical devices like stirrers operate or where isolation tank is required for regular servicing. It can be mounted vertically from top. The level switch can be wired directly in series to operate electric loads like audio / alarm, annunciation, mimic indication, which match the low switching capacity of reed contacts. However, high loads like contactor solenoid / motorised valve should be connected through a Techtrol level controller (TLC) to prevent overloading by surge or inrush current and isolate reed contacts from the electrical power system, to ensure their long life.



**INSTALLATION W/O FLOAT REMOVAL
ENSURE NOZZLE &
CAGE PIPE NB (B) IS > "FLOAT DIA"**