

SERIES :PG - 100

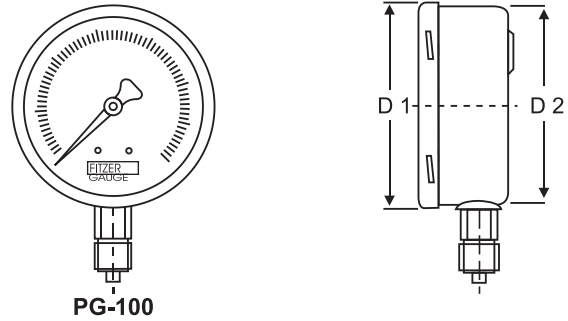
FITZER standard weatherproof pressure gauges are manufactured under strict quality control to ensure long and reliable operation. Each gauge is subjected to leak test overload test and accuracy test overload test conforming to IS 3624B .

FITZER standard gauges find a wide range of application. They are used wherever precise measurement of pressure is vital. Gauges are used in Chemical Processing, Petrochemical, Petroleum Refinery, Fertilizer, Thermal, Nuclear Power Generating Industry and many other process applications.

SPECIFICATIONS :

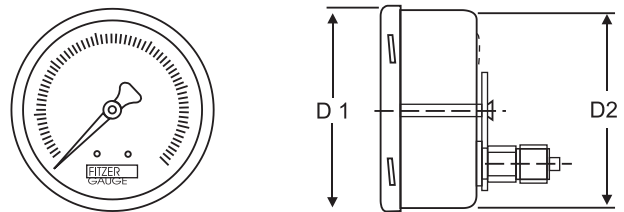
Dial Size	65mm, 100mm, 150mm.
Case & Bezel Window	SS 304, Snap action Bayonet type. Toughened Safety Glass, Shatter proof Glass, Polycarbonate and Acrylic
Bourdon Tube	SS 316, Brass, Phosphor Bronze, Bourdon tube are heat Treated and relieved
Socket Movement Connection Mounting	SS 304, SS 316, Brass SS 304, Brass 1/8", 1/4", 3/8", 1/2" BSP / NPT (M) Direct with bottom entry / Direct with back entry / Flush panel with back entry (Three hole panel or bracket type) / Surface with bottom entry
Pointer Joints	Micro zero / Zero Adjustment Pointer SS Argon ARC welded, phosphor Bronze, Brass Silver brazed / soldered
Range	Pressure up to 1400 kg/cm ² , Vacuum & Compound Ranges
Accuracy	1% of F.S.D.
Available options	Liquid Damping, Snubber, Gauge Saver, Syphon and 2 way 3 way Cock.

Bottom Connection Direct Mounting



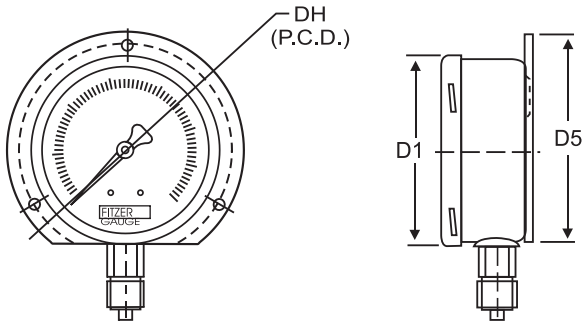
PG-100

Bottom Connection Bracket Mounting



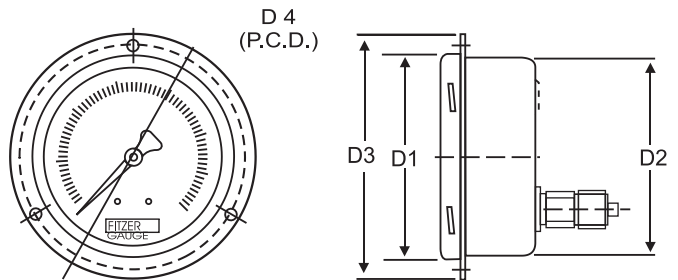
PG-101

Bottom Connection Surface Mounting



PG-102

Back Conn. Panel Mounting



PG-103

DIAL SIZE	ØD1	ØD2	ØD3	ØD4	D5	P	
						Other	Surface Mounting
100mm	68.5	61.5	85	118	78	33	37
100mm	109	98.5	132	118	122	48.5	51
100mm	166	151	186	168	176	48.5	52