



**SERIES : PG - 300**

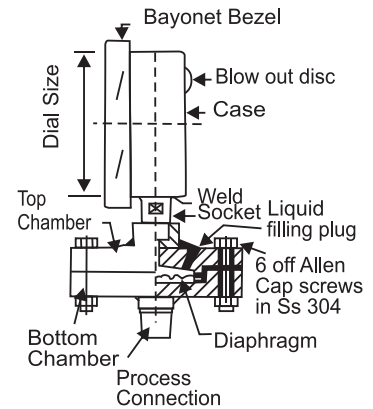
FITZER Diaphragm Sealed Pressure gauges are recommended where fluid is highly corrosive, contaminated, viscous or liable to crystallize inside measuring system. The gauge mounted above the diaphragm sealed and filled with suitable oil that transmits the pressure acting on the diaphragm to bourdon tube. Diaphragm is welded to the upper parts of sealed unit and therefore it is possible to separate the upper and lower parts to clean the diaphragm without removing the gauge.

**SPECIFICATIONS :**

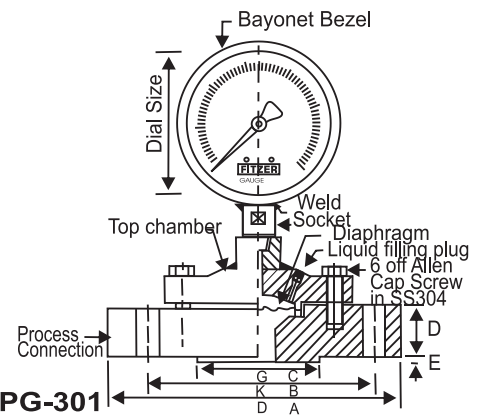
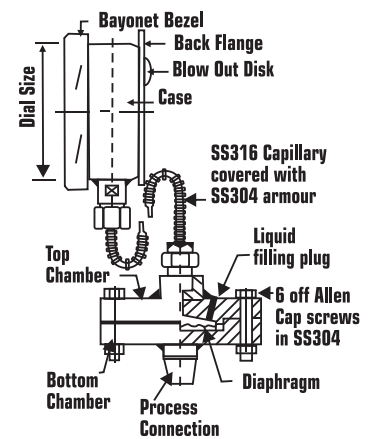
Dial Size	65,100,150 mm
Case & Bezel	SS 304, Crimp type / Snap Action Bayoned Type.
Window	Acrylic glass / Toughened Safety Glass
Bourdon	SS 316, Brass, Phosphor bronze Bourdon tube are heat treated & stress relieved .
Socket	SS 304, SS316, Brass
Movement	SS 304, Brass
Connection	1/4", 3/8", 1/2" BSP / NPT (M)
Pointer	Micro zero / Zero Adjustment Pointer
Joists	SS Argon Arc welded, phosphor Bronze, Brass Silver Brazed / Soldered

**END SEALED UNIT :**

UPPER CHAMBER	Mild Steel Painted in black, SS 304, SS 316
DIAPHRAGM	SS 316, Monel Hastelloy-C, Tantalum, Teflon Coated or any special material can be provided
Sealing Liquid	Silicon Oil or suitable liquid as desired by the user DC-704, 710 FS 1265, Halocarbon
Connection	1/2" BSP / NPT (M) Threaded, Flange type or flexible SS Capillary can be provided.
Temp- Limit	45° C to 25° C (for high temperature go for cooling Tower assembly impulse tubin or capillary extension
Accuracy	±1% of F.S.D.



**Serials PG-300**



**Serials PG-301**

Process connection	A DIA	B PCD	C RF	D THICK	E
1" 150 RF	107.9	79.4	50.8	27.0	1.6
1" 300 RF	123.8	88.9	50.8	30.0	1.6
1" 600 RF	123.8	88.9	50.8	30.0	6.3
1" 1/2" 150 RF	127.0	98.4	73.0	20.0	1.6
1" 1/2" 300 RF	155.6	144.3	73.0	25.0	1.6
1" 1/2" 600 RF	155.6	144.3	73.0	25.0	6.3
2" 150 RF	152.4	120.6	92.1	19.1	1.6
1" 300 RF	165.1	127.0	92.1	22.2	1.6
1" 600 RF	165.1	127.0	92.1	25.4	6.3